

# ASSEMBLY INSTRUCTION

DS-603

RIVIERA LEFT MODULAR

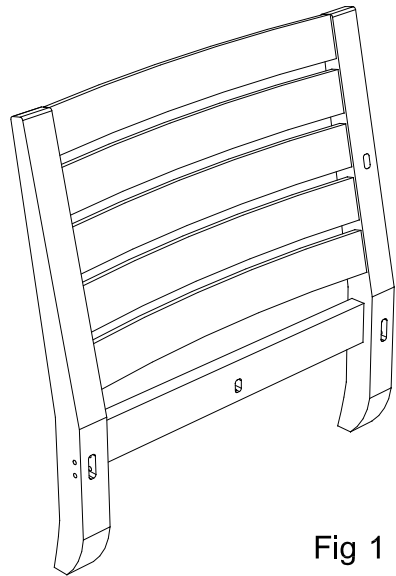


Fig 1

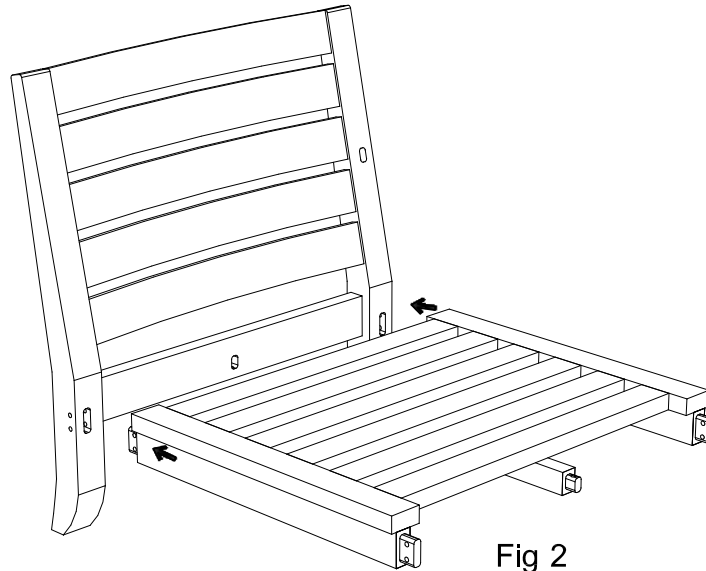


Fig 2

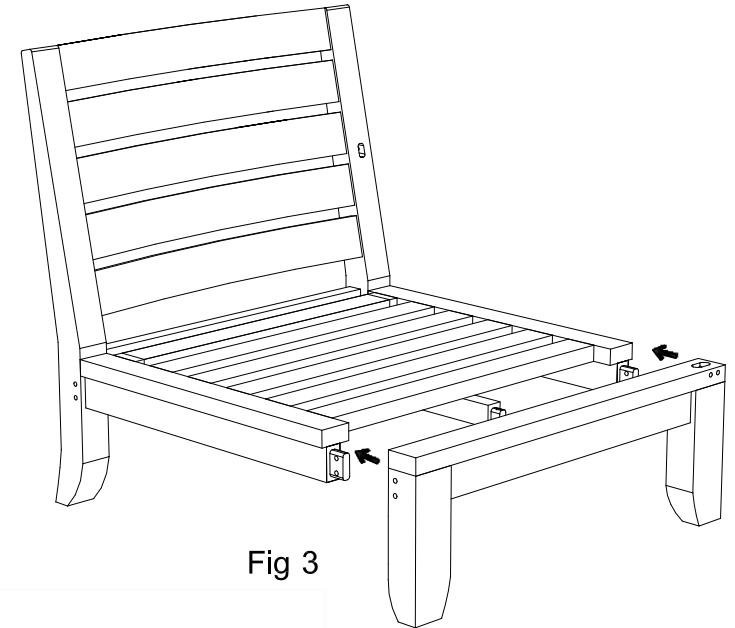


Fig 3

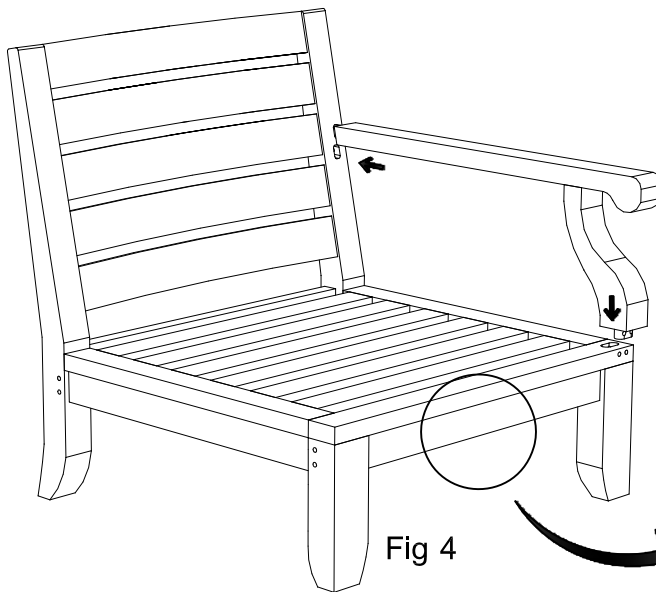


Fig 4

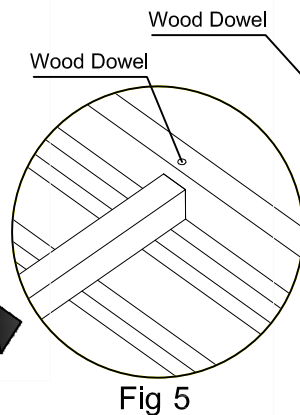


Fig 5

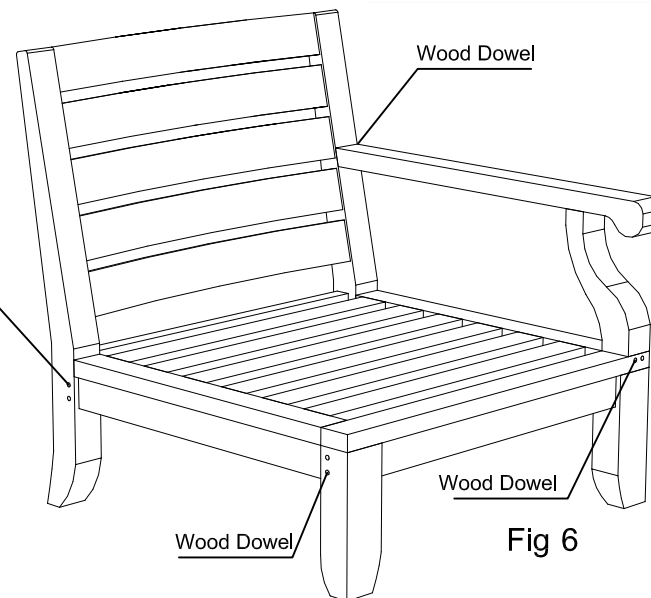


Fig 6

Parts : 1 set front leg, 1 set leg & back support, 1 pc seat, 1 pc left arm

Hardware packs :  
Wood dowels for leg & back support, seat, arm

Tools requirement :  
Hammer ( not supplied )

Assembling :

1. Prepare leg & back support ( Fig. 1 )
2. Put some glue into the seat mortise, insert the seat into leg & back support ( Fig. 2 )
3. Insert the front leg. ( Fig. 3 )
4. Put some glue into the left arm mortise and insert to back support and seat ( Fig. 4 )
5. Put some glue around the wood dowels and insert it into the back support, front leg and seat support ( Fig. 4 & Fig 5 )
6. Finish Assembly
7. Clean the overflow glue using damp cloth while glue is still wet.